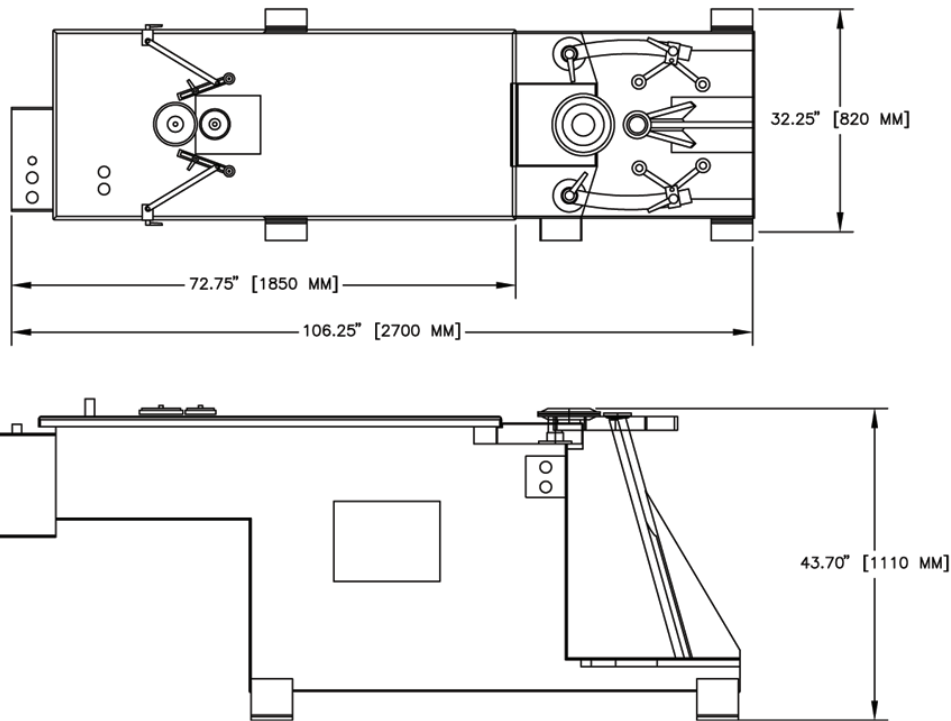


GORE-MAX 1.25

SPECIFICATIONS



Gore-Max 1.25		
Material Thickness (galv. steel)	.050"	1.25 mm
Diameter	5" - 50"	125 - 1250 mm
Weight	1789 lbs.	805 kg.

Specifications subject to change without notice



P.O. Box 680 Grayslake, IL - USA
P +1.847.231.8002 | F +1.847.231.8007

WWW.ISMMACHINERY.COM