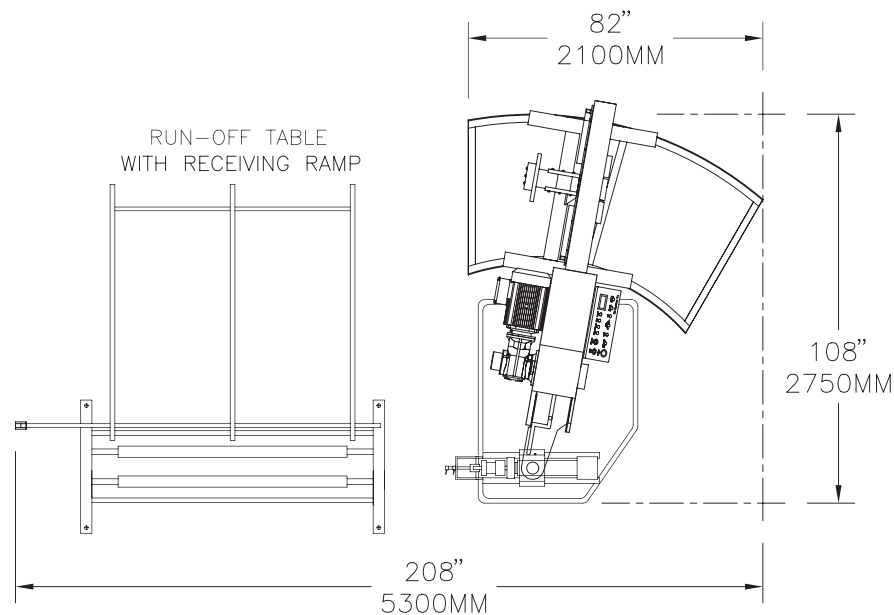


D-MAX 1.2E

SPECIFICATIONS



D-MAX 1.25E FOOTPRINT

D-Max 1.2E		
Material Thickness (galv. steel)	.016" - .0516"	0.4 - 1.25 mm
Diameter	3" - 64"	80 - 1600 mm
Maximum Strip Speed (galv. steel)	235 fpm	71 mpm

Specifications subject to change without notice



MACHINERY, INC.

P.O. Box 680 Grayslake, IL - USA
P +1.847.231.8002 | F +1.847.231.8007

WWW.ISMMACHINERY.COM