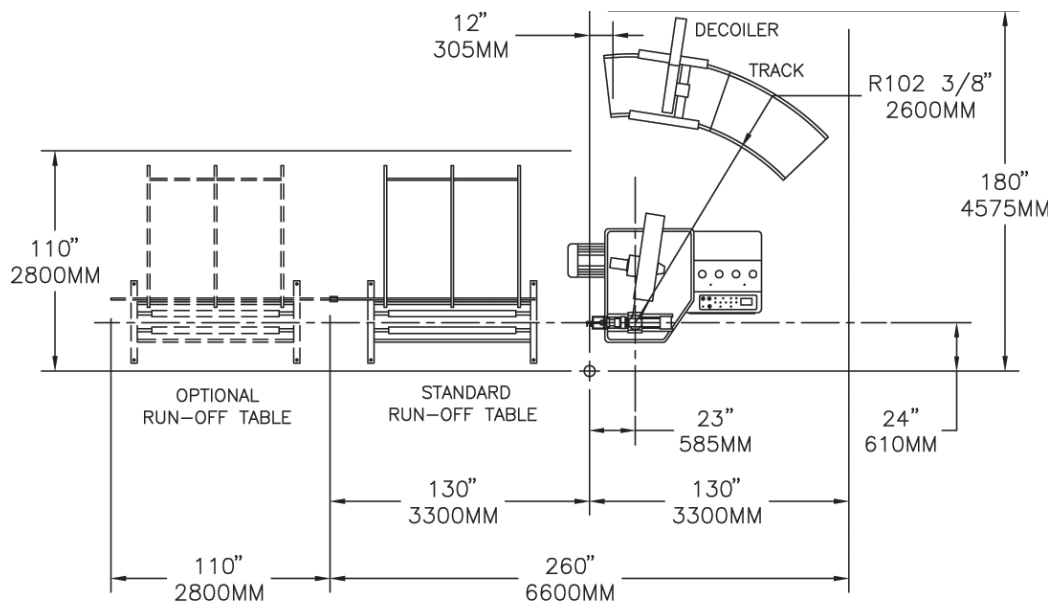


# D-MAX 1.25 & 2.0

## SPECIFICATIONS



D-MAX 1.25 AND D-MAX 2.0 STANDARD FOOTPRINT

<b>D-Max 1.25</b>		
Material Thickness (galv. steel)	.016" - .0516"	0.4 - 1.3 mm
Diameter	3" - 64"	80 - 1600 mm
Maximum Strip Speed (galv. steel)	210 fpm	64 mpm

Specifications subject to change without notice

<b>D-Max 2.0</b>		
Material Thickness (galv. steel)	.016" - .0790"	0.4 - 2 mm
Diameter	3" - 100"	80 - 2500 mm
Maximum Strip Speed (galv. steel)	265 fpm	80 mpm

Specifications subject to change without notice



P.O. Box 680 Grayslake, IL - USA  
P +1.847.231.8002 | F +1.847.231.8007

[WWW.ISMMACHINERY.COM](http://WWW.ISMMACHINERY.COM)